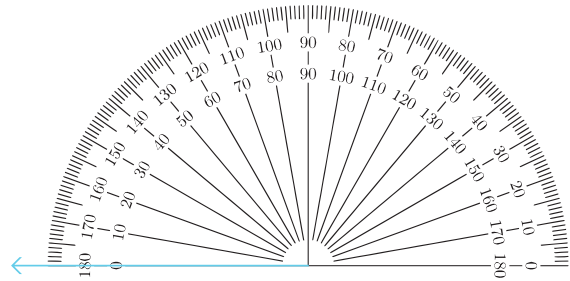
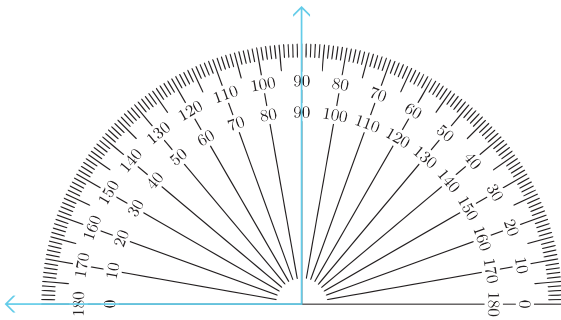


Drawing Angles

Draw each angle using the protractor. The first one has been done for you as an example.





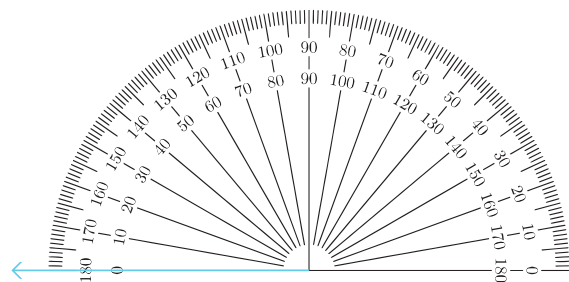
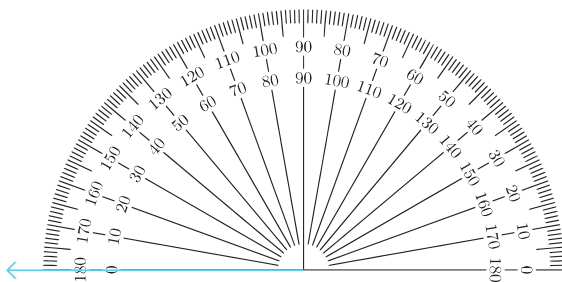
PREVIEW

Please login or register to download the printable version of this worksheet.

www.allkidsnetwork.com

2. Draw 45°

3. Draw 120°

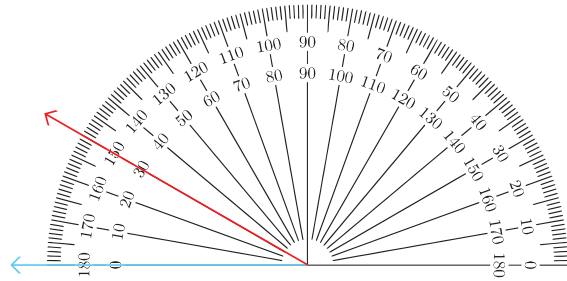
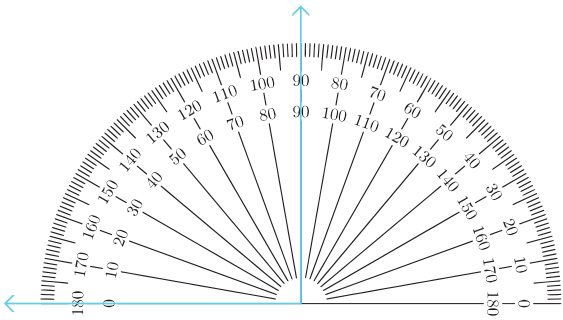


4. Draw 80°

5. Draw 165°

Drawing Angles

Draw each angle using the protractor. The first one has been done for you as an example.



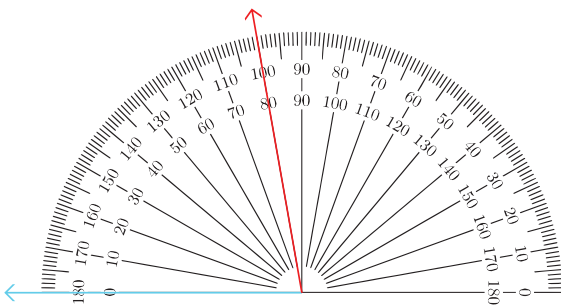


PREVIEW

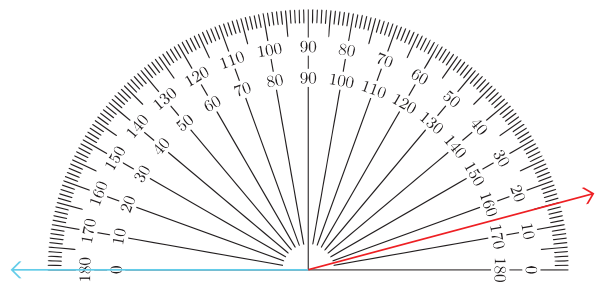
Please login or register to download the printable version of this worksheet.

www.allkidsnetwork.com

2. Draw 45°



3. Draw 120°



4. Draw 80°

5. Draw 165°