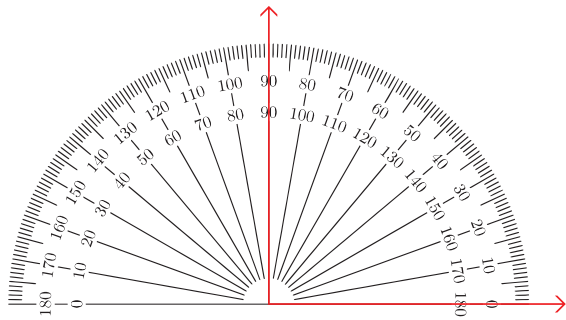
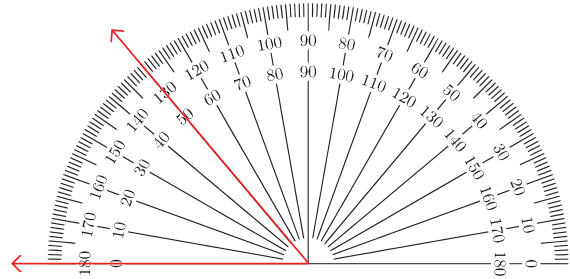


Reading a Protractor

Measure and write down each angle below using the protractor. The first one has been done for you as an example.



90°



1.



All Kids
NETWORK

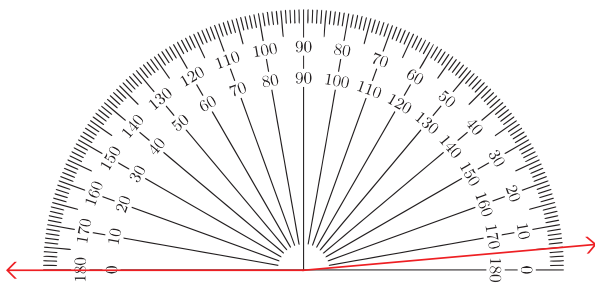
PREVIEW

Please login or register to download
the printable version of this worksheet.

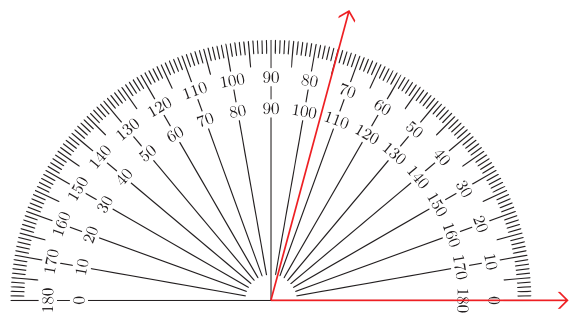
www.allkidsnetwork.com

2. _____

3. _____



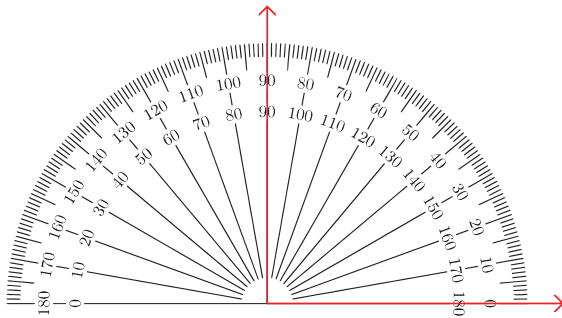
4. _____



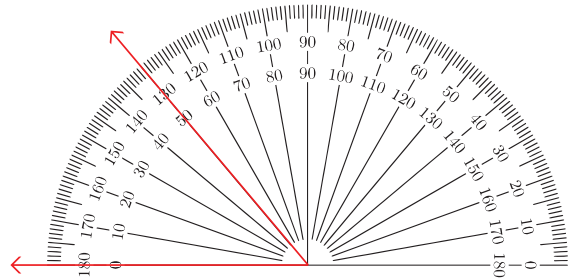
5. _____

Reading a Protractor

Measure and write down each angle below using the protractor. The first one has been done for you as an example.



90°



50°



All Kids
NETWORK

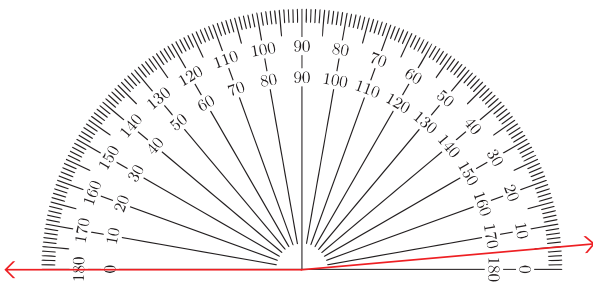
PREVIEW

Please login or register to download
the printable version of this worksheet.

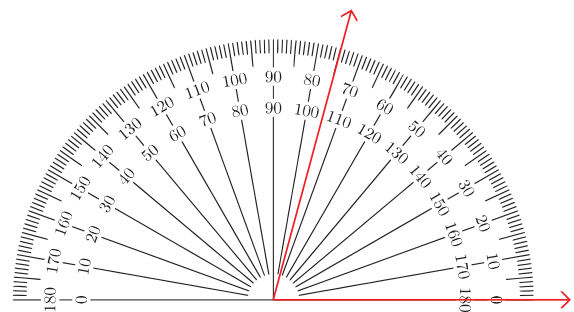
www.allkidsnetwork.com

2. 15°

3. 140°



4. 175°



5. 75°